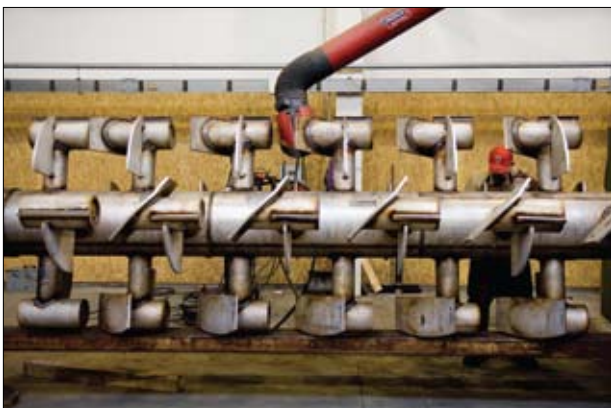




## Batch Cooker

The Haarslev Batch Cooker is designed for sterilisation, hydrolysis, and drying of animal by-products. The batch cooker is one of the most important parts of a dry rendering plant and is manufactured in five standard sizes to suit various plant capacities



### Applications

The Haarslev batch cooker can be used for processing of the following animal by-products:

- Mixed meat offal and bones
- Raw blood
- Wet feathers
- Mixed poultry offal

### Individual designs

The batch cooker is delivered as a unit ready to install inclusive of all necessary valves, instruments, steam trap system, safety valve, and insulation as standard.

## Capacities for Batch Cookers

Figures are stated as kg/batch.

Type	Application			
	Mixed meat offal & bones	Raw blood	Wet feathers	Mixed poultry offal
BC5000	3000	2000	2700	3000
BC6500	4000	2500	3500	4000
BC8500	5000	3400	4600	5000
BC10000	6000	4000	5400	6000
BC16000	10000	7000	9000	10000

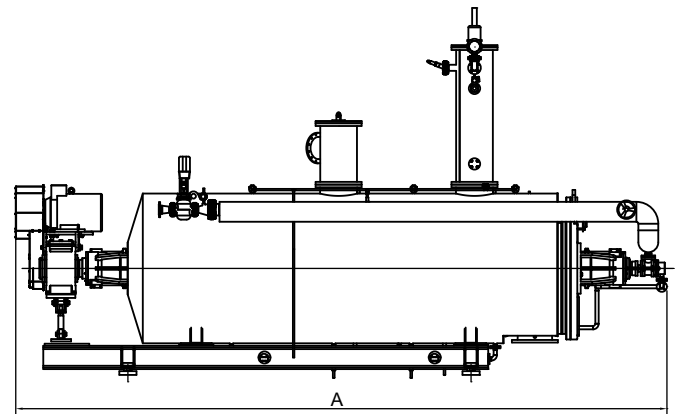
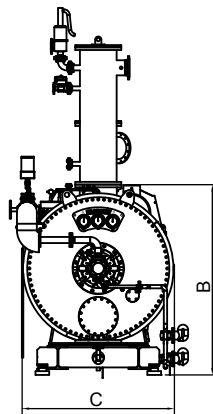
## Certifications and Regulations

The design of the batch cooker complies with internationally acknowledged standards and each machine is inspected and pressure tested by authorities in accordance with pressure vessel regulations in the country in which the machine is to be installed.

## Optionals

The batch cooker may be supplied with manual or automatic discharge door. Additional equipment:

- Automatic moisture control with end point signal.
- Automatic process control equipment.
- Load cell system.



Technical specifications	Unit	Type					
		BC5000	BC6500	BC8500	BC10000	BC16000	
Dimension *)	A	mm	5450	7100	7425	8400	9000
	B	mm	2070	2070	2305	2305	2500
	C	mm	1600	1600	1775	1775	2100
Design pressure Jacket and rotor	bar		10	10	10	10	10
Design pressure cooker	bar		5	5	5	5	5
Heating surface	m <sup>2</sup>		27	35.3	41	47	63.1
Power	kW		37	45	55	75	110
Shipping weight	kg		12000	13500	19000	22000	36000

\*) All statements of dimensions are approximate.

We reserve the right to alter the specifications at any time without prior notice.



Haarslev Industries A/S • Bogensevej 85  
 DK-5471 Sønderso • Denmark  
 Telephone: +45 63 83 11 00  
 E-mail: info@haarslev.com  
 www.haarslev.com

