



Blood Coagulator

The Haarslev Blood Coagulator is especially designed for controlled heating and coagulation of animal blood.

The heat supply to the coagulator is effected by a temperature controlled steam injection.

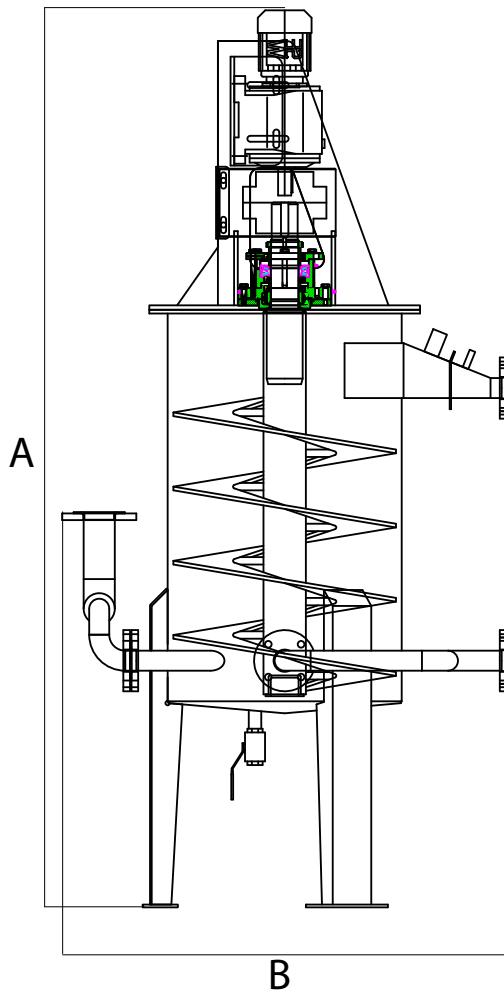
Blood is pumped to the coagulator, where a special designed agitator mixes steam and blood, thus ensuring an even coagulation and output temperature.

The blood coagulator is manufactured completely in stainless steel and fitted with a

special agitator shaft for good homogenisation. Shaft seal is equipped with stuffing box.

Haarslev Industries

Haarslev Industries is one of the world's leading companies within handling and processing of by-products from food-related industries



Technical Specifications	Unit	
Capacity	kg/h	5000
Dimension A	mm	2400
Dimension B	mm	1200
Volume	L	300
Power	kW	0.75
Weight	kg	700

We reserve the right to alter the specifications at any time without prior notice.



Haarslev Industries A/S • Bogensevej 85
 DK-5471 Sønderso • Denmark
 Telephone: +45 63 83 11 00
 E-mail: info@haarslev.com
www.haarslev.com

