



Blood Coagulator

The Haarslev Blood Coagulator is especially designed for controlled heating and coagulation of animal blood.

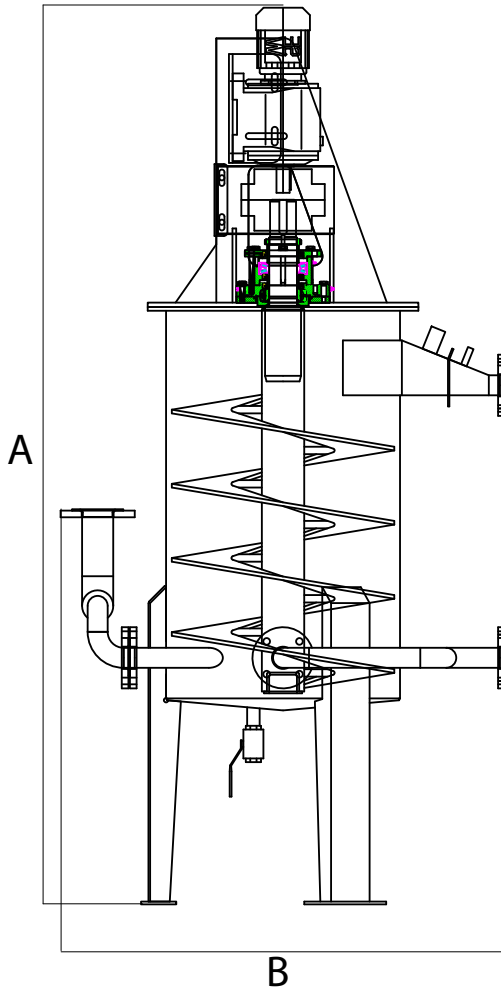
The heat supply to the coagulator is effected by a temperature controlled steam injection.

Blood is pumped to the coagulator, where a special designed agitator mixes steam and blood, thus ensuring an even coagulation and output temperature.

The blood coagulator is manufactured completely in stainless steel.

Haarslev Industries

Haarslev Industries is one of the world's leading companies within handling and processing of by-products from food-related industries.



Technical Specifications	Unit	
Capacity	lbs/h	11,230
Dimension A	inch	94
Dimension B	inch	47
Volume	Oz	10,144
Power	HP	1
Weight	lbs	1543

We reserve the right to alter the specifications at any time without prior notice.



Haarslev Industries A/S • Bogensevej 85
 DK-5471 Sønderso • Denmark
 Telephone: +45 63 83 11 00
 E-mail: info@haarslev.com
www.haarslev.com

