



## Haarslev Industries Compact Fish Plant

The first Haarslev Fish Meal Plant was supplied in the early 60's. More than 200 compact plants and almost another 100 pre-assembled fish meal plants of a continually improved design have given us the experience and know-how it takes to be the leading supplier within floating fish meal factories.

### Design

The Haarslev Compact Fish Meal Plants are designed to meet the great demand for small, space saving and easily operated fish meal plants. If necessary, we also supply them with odor control. They are well suited for operation on board trawlers, purse seiners

and floating factories. The end product is high quality fish meal. Many owners of land-based plants wanting to turn waste into profit, have also installed the reliable Compact Fish Meal Plants.

### Main Components

The compact plant consists of a cooker, a press and a dryer. These main components are all of rugged and safe construction, and are continuously and easily operated.

### Pre-assembled

The compact plant is delivered pre-assembled, which ensures quick and easy installation. The plant is ready for connection to available

power supply and distributing pipes on board. Installation expenses are reduced to a minimum.

### Haarslev Industries

Through the acquisition of Atlas-Stord Denmark A/S in 2006 Haarslev Industries became the leading supplier of processing equipment for fish meal factories all over the world, and gained access to markets for equipment for handling of by-products from production of bioethanol.

Our solutions are designed for improved end product quality, reduced environmental impact and energy consumption.

## Automatic operation

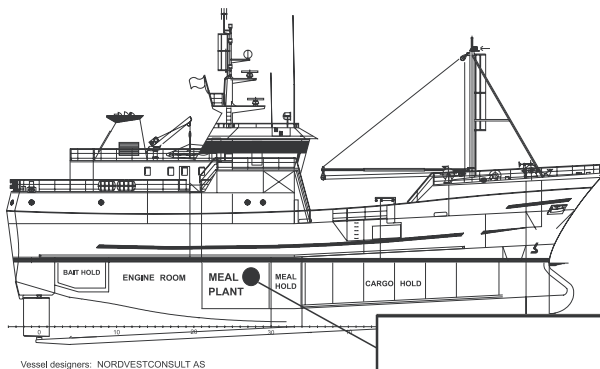
Instrumentation and automation simplify the operation of the plant, which can be left unattended without detriment neither to the machinery nor to the quality of the products.

## Specially designed for ship installation

The plant is reliable in service even in rough seas and also at varying trims, and the quality of the products is maintained. The principal reason is that the drying process is carried out with our patented Rotadisc Dryer, specially developed for floating fish meal factories.

## Effective heating surface

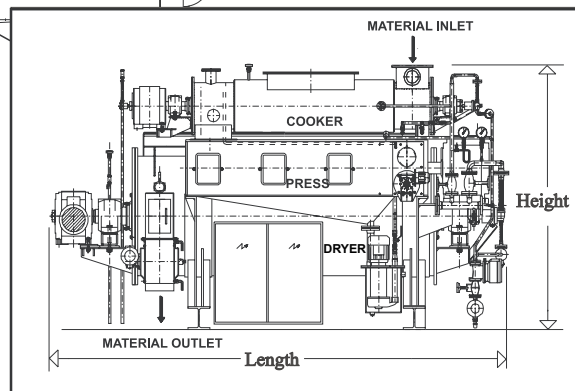
The Rotadisc Dryer requires small space because of concentrated and effective heating surfaces. Thanks to the special construction of the rotating heating body, the relative movements between material and heating surfaces prevent formation of deposits on the heating surfaces. Even on lean fish, this dryer works perfectly.



Vessel designers: NORDVESTCONSULT AS

## Suitable for land factories

The Haarslev Compact Fish Meal Plants will also be an asset for treatment of offal from canneries, filleting plants, trash fish etc. in land based factories.



## Technical Specifications

Compact Plant Type	Capacity raw material 1000 lbs / 24 h*	Net weight 1000 lbs*	Length inch*	Width inch*	Height inch*
T1W	22-33	16.5	168	81	95
T2W	44-55	22.0	193	72	113
T3W	66-77	31.0	206	72	116
T4W	132-154	48.5	275	104	140

\*Dimensions and weights may vary according to application, material specifications, etc.

We reserve the right to alter the specifications at any time without prior notice.



Haarslev Industries A/S • Bogensevej 85  
 DK-5471 Sønderso • Denmark  
 Telephone: +45 63 83 11 00  
 E-mail: [info@haarslev.com](mailto:info@haarslev.com)  
[www.haarslev.com](http://www.haarslev.com)

