



Haarslev Fine Crusher

The Haarslev Fine Crusher is designed for particle size reduction of animal by-products.

Applications

The Fine Crusher can be configured to crush pre-broken raw material down to a particle size of 12 mm. The Fine Crusher can also be delivered with knives for larger particle sizes.

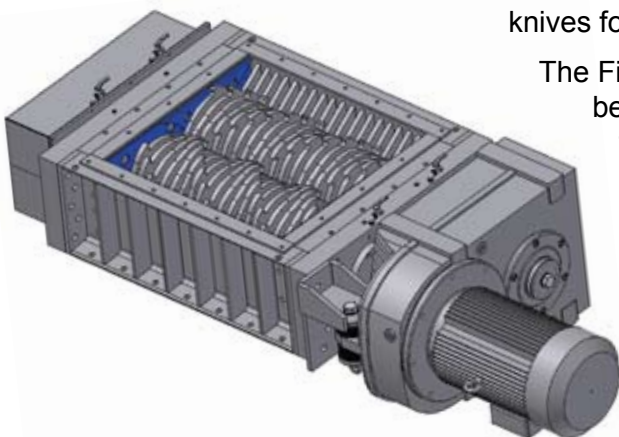
The Fine Crusher can also be used for delumping of feathers.

The fine crusher will have a throughput capacity from 2 – 20 ton/hour depending on raw material composition and required output particle size.

Haarslev Industries

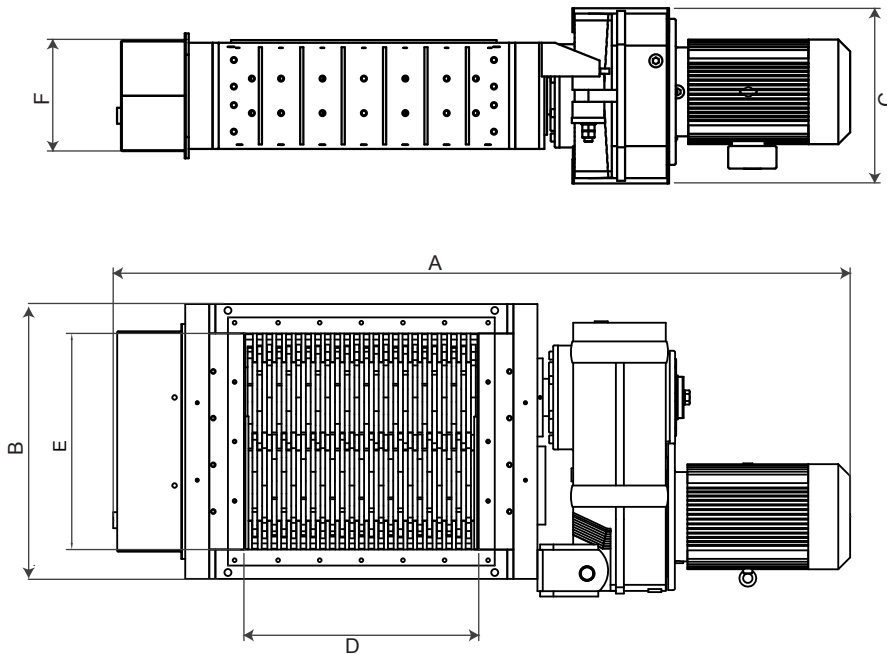
Haarslev Industries is one of the world's leading companies within handling and processing of by-products from food-related industries.

Since 2003 Haarslev Industries has integrated the well-known range of pre-breakers and crushers of Sværtek. The Sværtek brand is recognised world-wide for outstanding quality and reliability. Pre-breakers and crushers from Haarslev Industries have been installed in hundreds of rendering plants worldwide over the past decades.



Technical Description

The fine crusher is designed with two parallel counter rotating crusher shafts. The two crusher shafts are driven by one heavy-duty gear motor with one set of internal gears connecting the two shafts..



Each shaft is supported in spherical roller bearings with mechanical seals to ensure maximum performance with minimum down time.

The crusher shafts are fitted with replaceable, machined cutting blades

Technical Specifications	Unit	Type		
		FC23/37	FC18/47	FC13/55
Capacity	t/h	10 - 18	10 - 18	3 - 15
Gap between knives	mm	23	18	13
Dimensions	A	mm	2762	2762
	B	mm	1030	1030
	C	mm	660	660
	D	mm	880	880
Inlet/outlet	E	mm	810	810
	F	mm	400	400
Power/motor	kW	45	45	45
Shipping weight less motor	kg	3,500	3,500	3,500

We reserve the right to alter the specifications at any time without prior notice.



Haarslev Industries A/S • Bogensevej 85
 DK-5471 Søndero • Denmark
 Telephone: +45 63 83 11 00
 E-mail: info@haarslev.com
www.haarslev.com

