



Hog Hair Press

The hog hair press is based on years of experience in designing and manufacturing presses for a wide range of applications within the rendering industry. The press will reduce the amount of free water accumulated in hair from slaughterhouse transport systems for hog hair. Pressing of hog hair results in a weight reduction of up to 50%.

Such a reduction in weight and the subsequent savings made in the handling and disposal of this type of by-product make the hog hair press an investment with a short payback period.

By applying a hog hair press to the process line, you avoid free water in the storage and transport systems. Furthermore reducing the weight is a considerable advantage if the hog hair has to be transported to a rendering plant for further processing.

Moreover a low water content in the hog hair will reduce the energy costs in the rendering process.

Operation

The hog hair press works continuously unaffected by irregularities in the feeding system.



The separated water can be fed to an existing water treatment system without affecting the organic load of the total water treatment system at the slaughterhouse.

The Haarslev hog hair press is suitable for different slaughter line capacities.



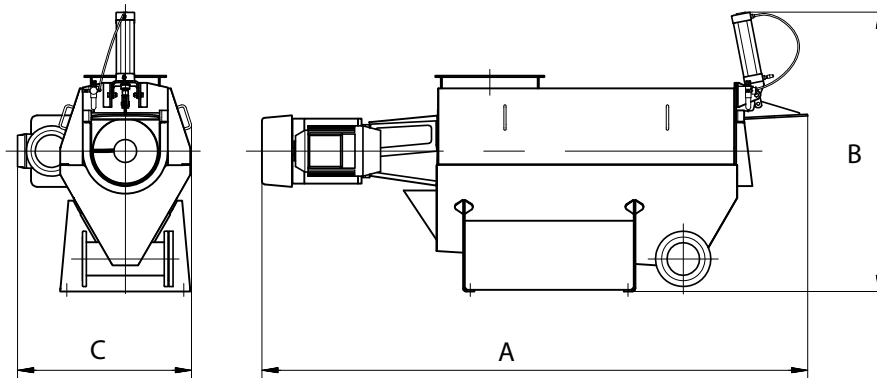
Advantages

The hog hair press from Haarslev Industries can be installed in existing hair transportation systems.

Furthermore the press provides environmental improvements such as reduction of odours and a low risk of spillages.

Design

The press has a high tolerance for foreign objects in the hog hair and it is almost entirely manufactured of stainless steel.



Technical Specifications	Unit	Type HP-408W
Power	kW	5.5
Dimension	A	3000
	B	1500
	C	1000
Capacity	kg/h	1500-2000
Weight	kg	750

We reserve the right to alter the specifications at any time without prior notice.



Haarslev Industries A/S • Bogensevej 85
 DK-5471 Søndero • Denmark
 Telephone: +45 63 83 11 00
 E-mail: info@haarslev.com
www.haarslev.com

